

1 2 3 4 5 6 7 8

A

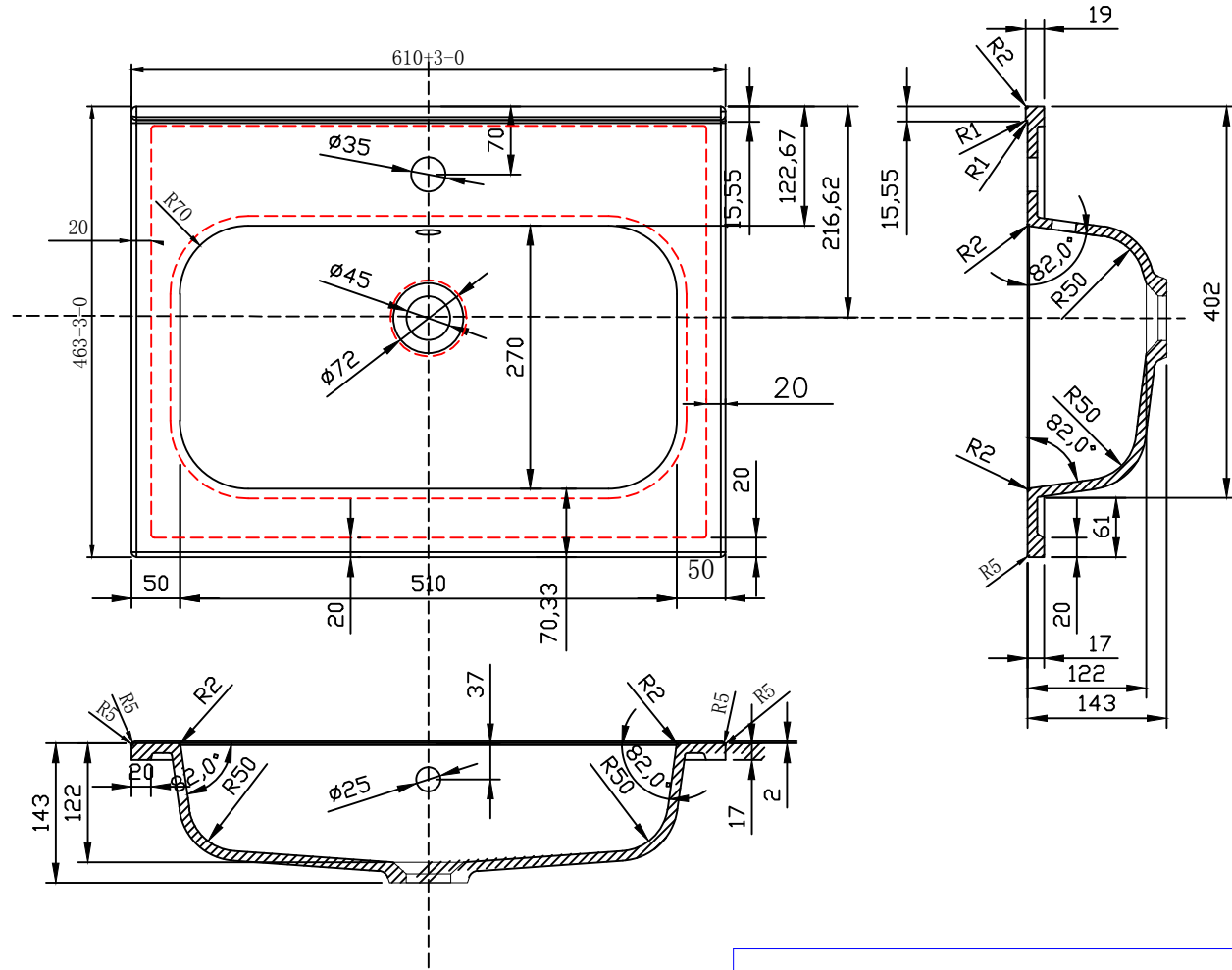
B

C

D

E

F



A

B

C

D

E

F

1 2 3 4 5 6 7 8

VAS-600RES

TITLE

DRAWING_NUMBER

EDITION

SHEET

1 2 3 4 5 6 7 8

A

B

C

D

E

F

A

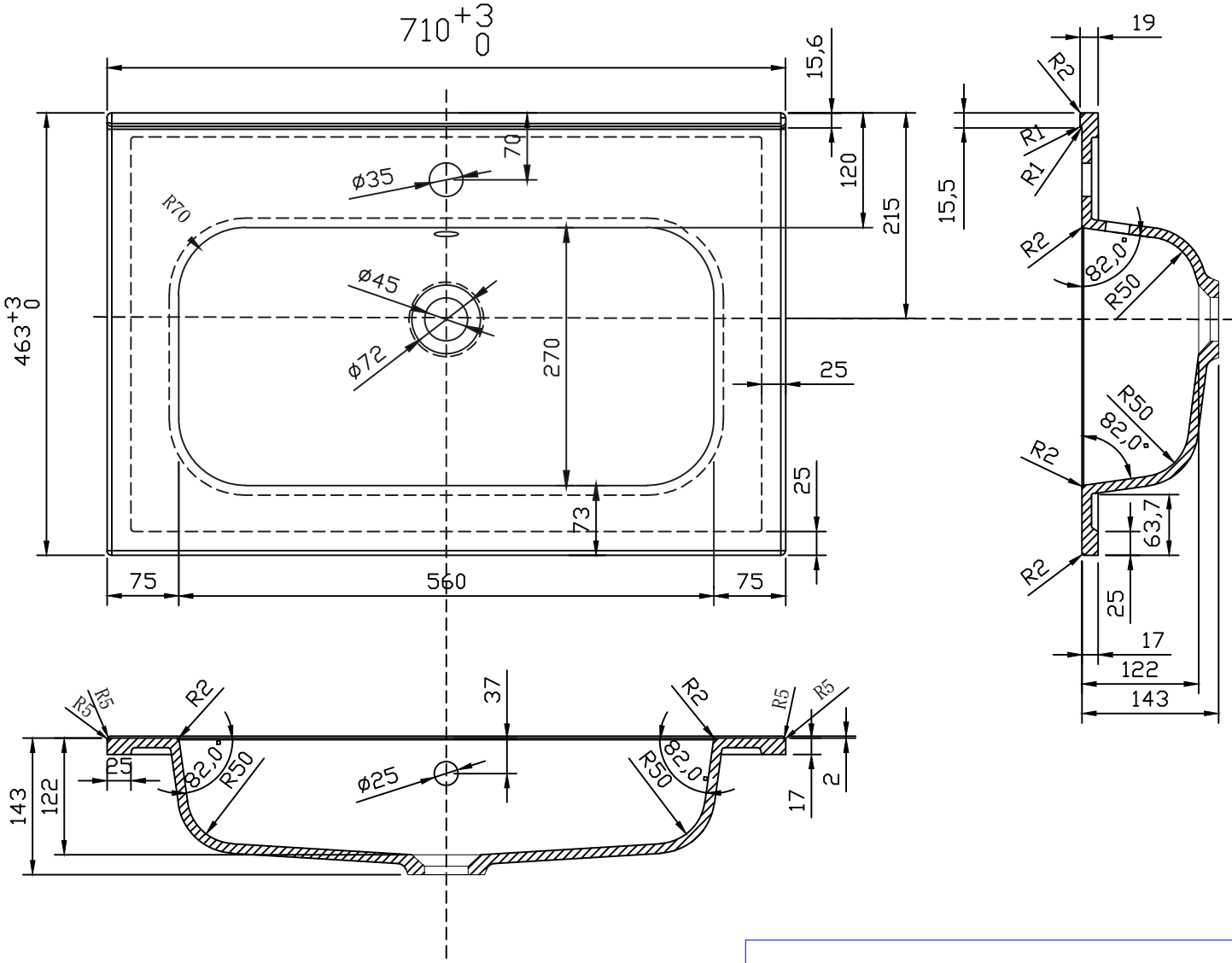
B

C

D

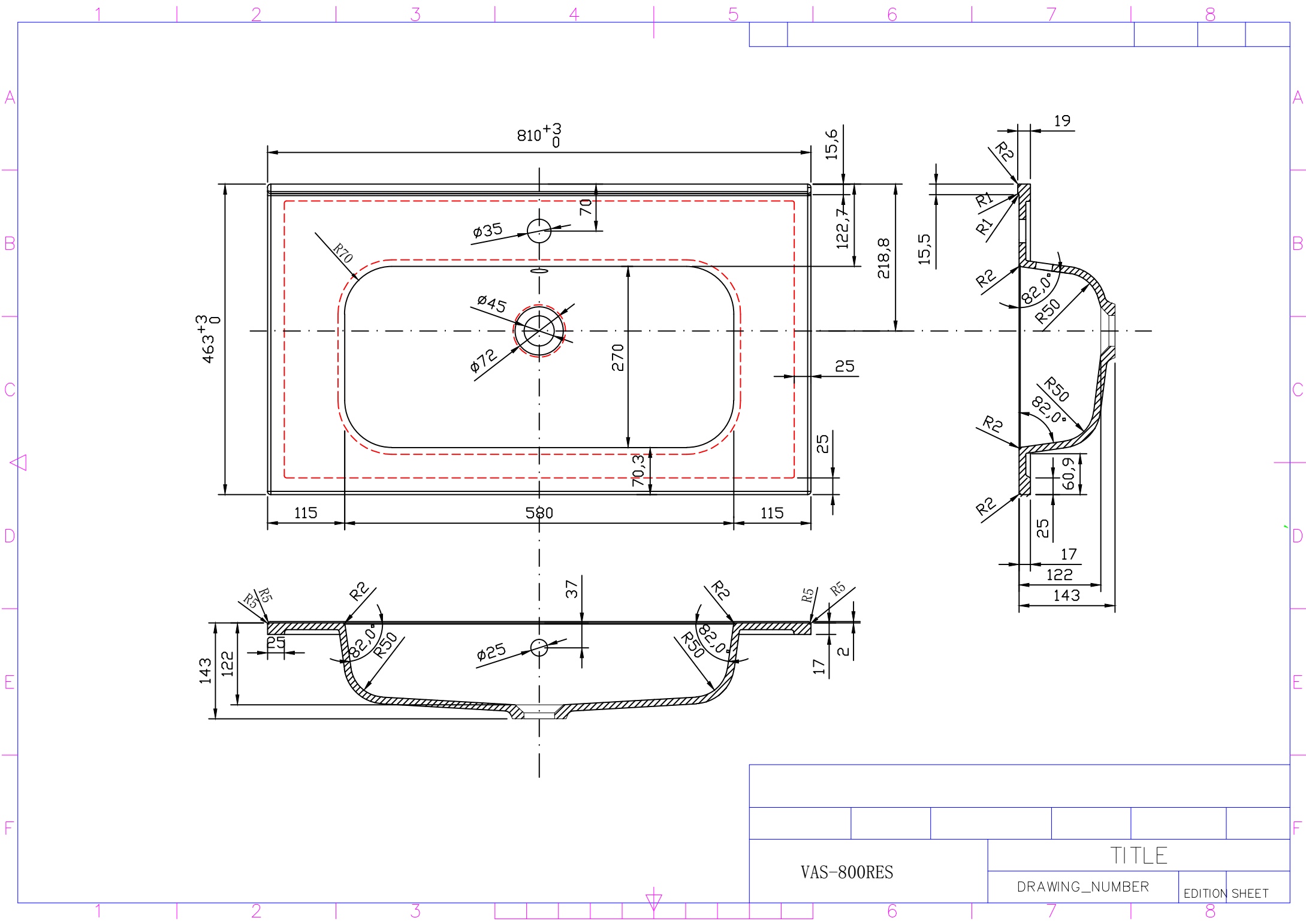
E

F

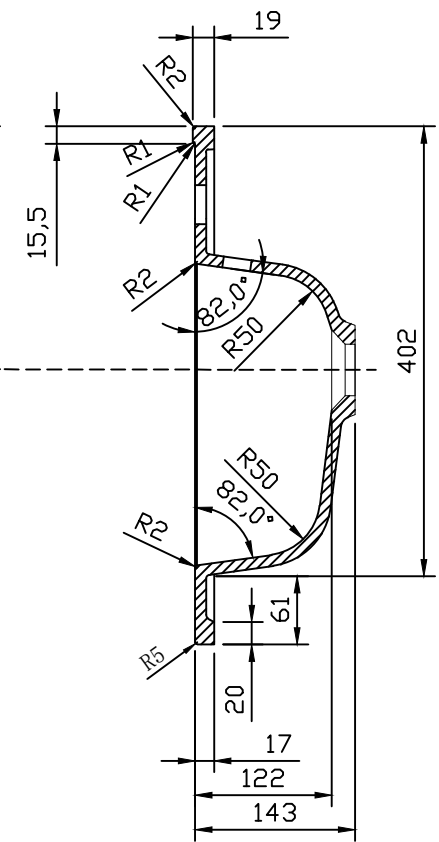
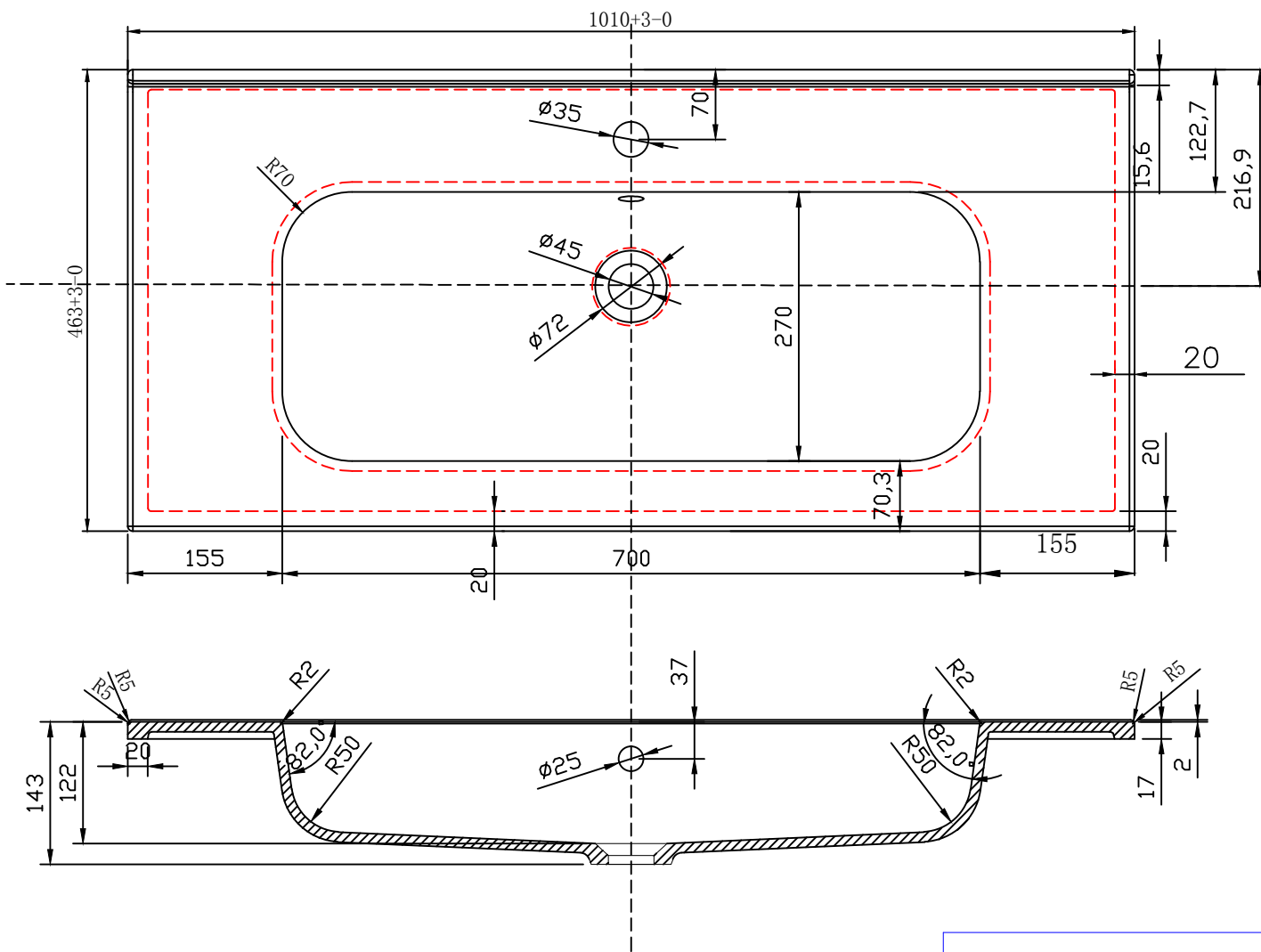


| | | | | | | | | | |
|------------|--|--|--|--|--|--|--|--|--|
| VAS-700RES | | | | | | | | | |
| | | | | | | | | | |
| | | | | | | | | | |

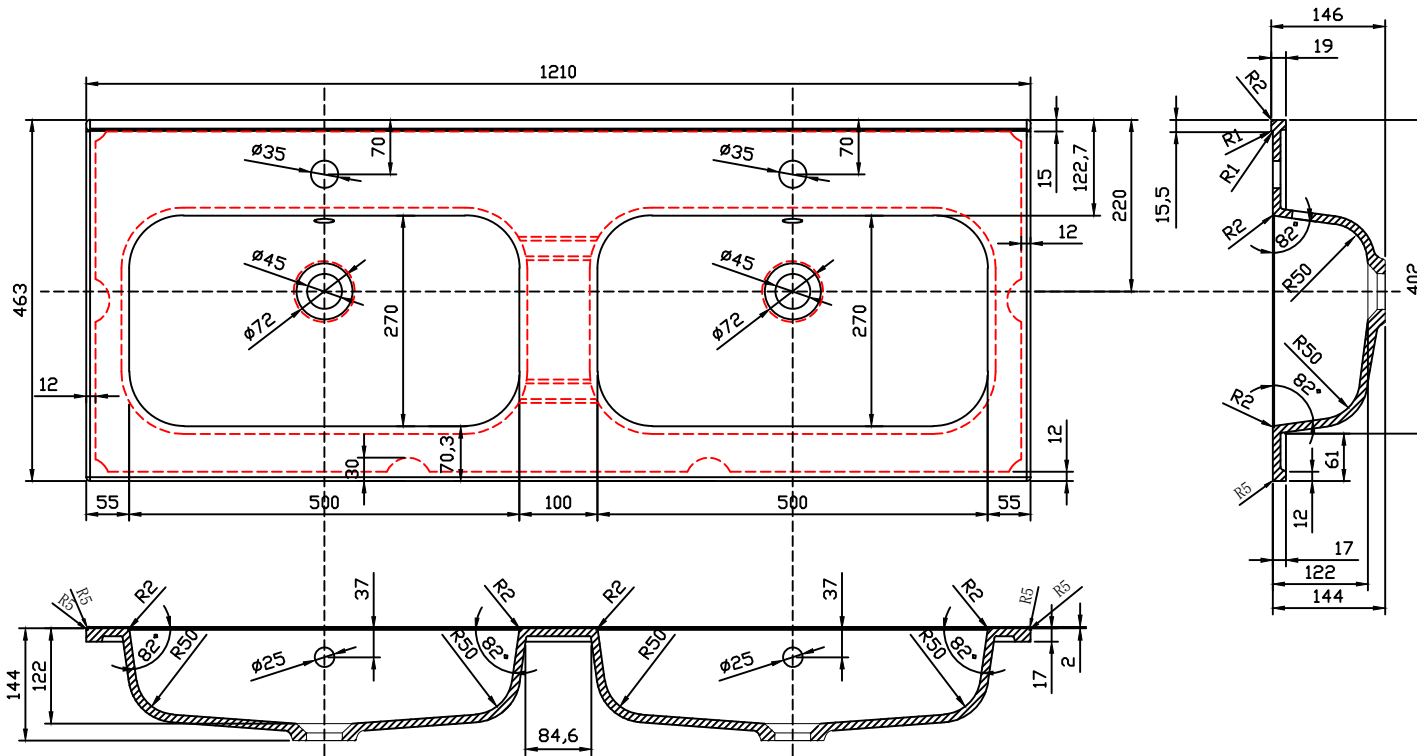
1 2 3 4 5 6 7 8



| | | | |
|----------------|--|---------------|--|
| VAS-800RES | | TITLE | |
| DRAWING_NUMBER | | EDITION SHEET | |



| | | | |
|----------------|--|---------------|--|
| VAS-1000RES | | TITLE | |
| DRAWING_NUMBER | | EDITION SHEET | |



VAS-1200RES

TITLE

DRAWING_NUMBER

EDITION SHEET

